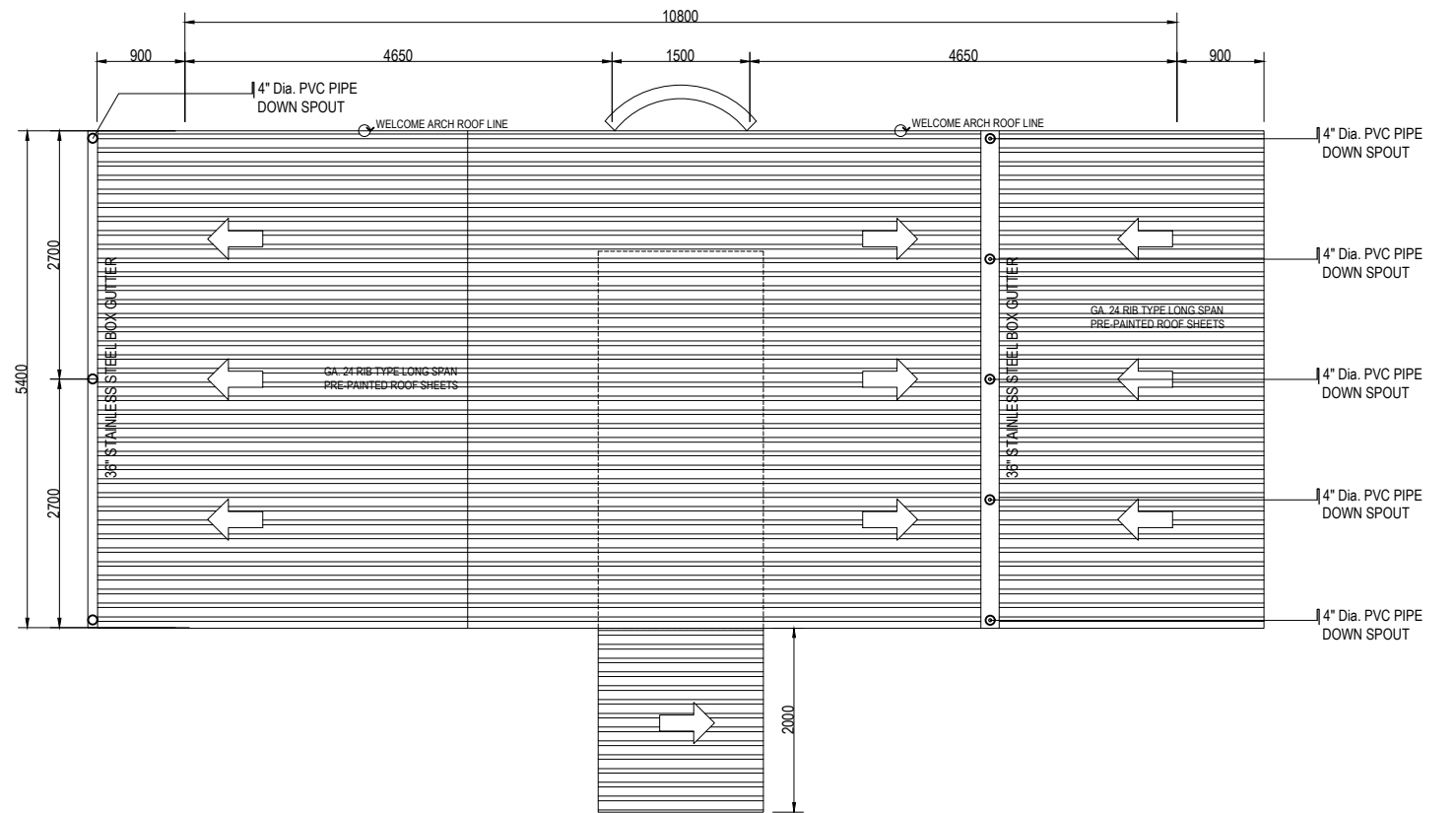
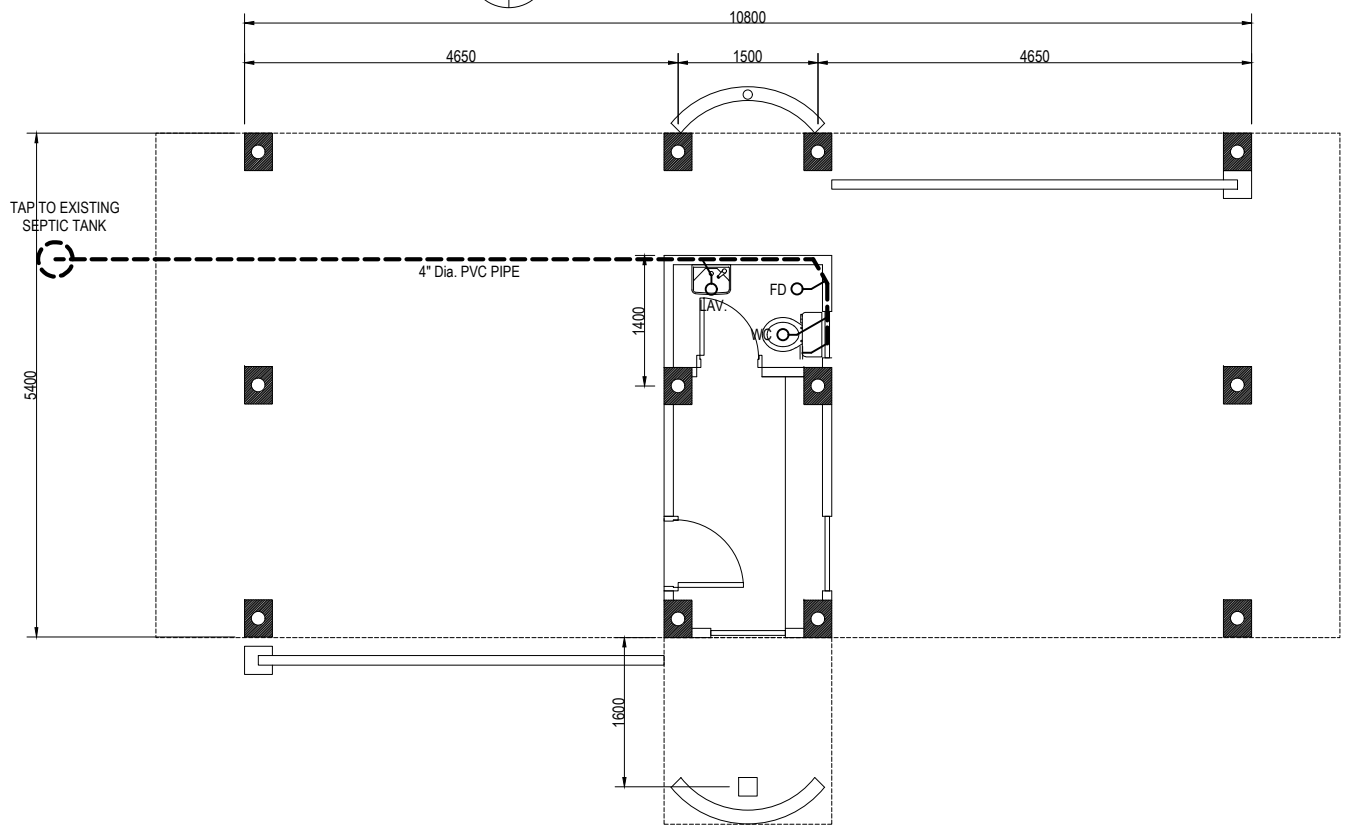


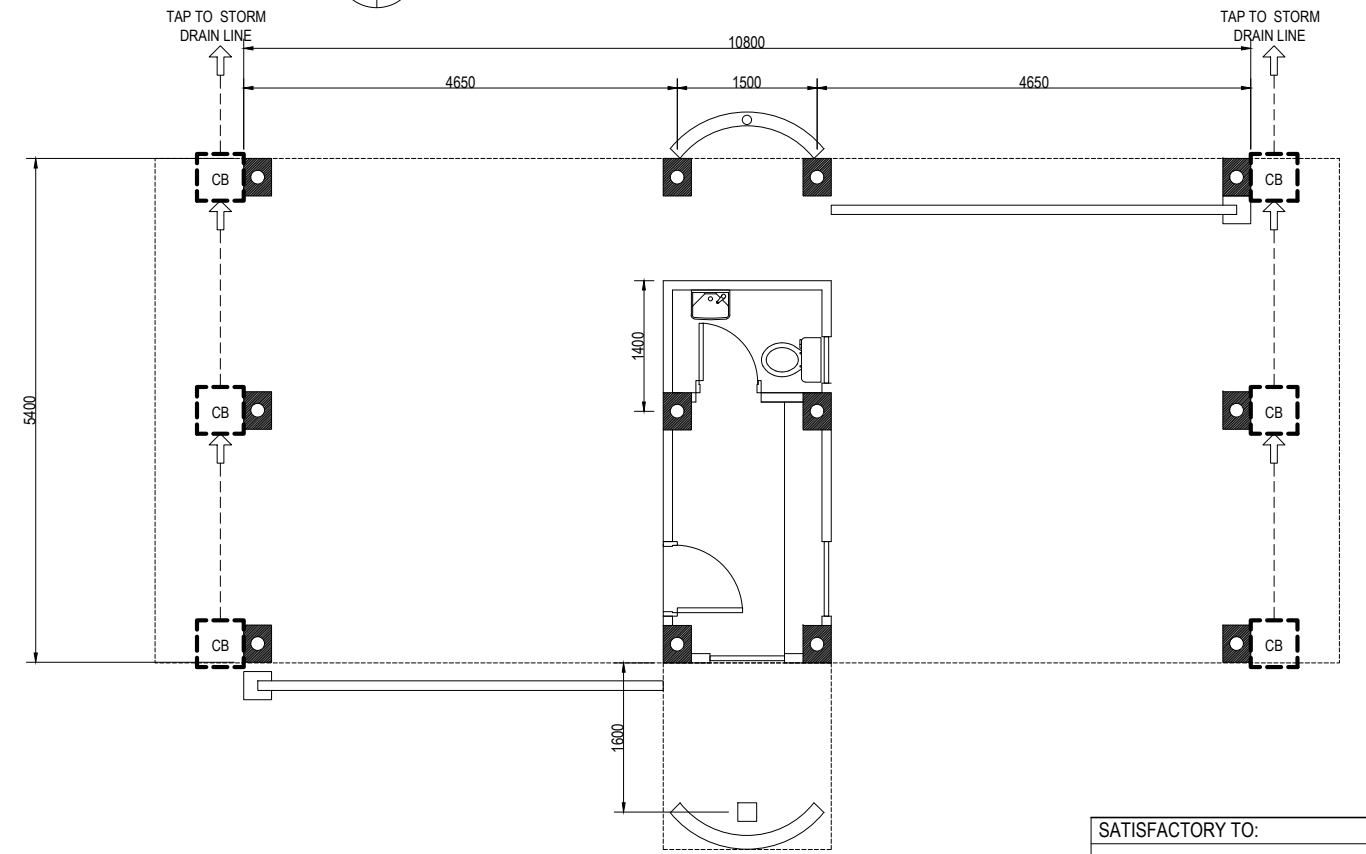
**1 WATER LINE LAYOUT (14th GATE)**  
 P1 | P1 SCALE 1:80mts



**3 DOWN SPOUT LAYOUT (14th GATE)**  
 P1 | P1 SCALE 1:80mts

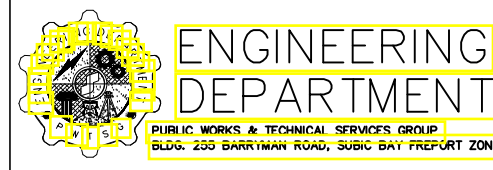


**2 SEWER LINE LAYOUT (14th GATE)**  
 P1 | P1 SCALE 1:80mts



**4 CATCH BASIN LAYOUT (14th GATE)**  
 P1 | P1 SCALE 1:80mts

SATISFACTORY TO:  
**ALFREDO P. AGUSTIN JR.**  
 MANAGER, LAW ENFORCEMENT DEPARTMENT

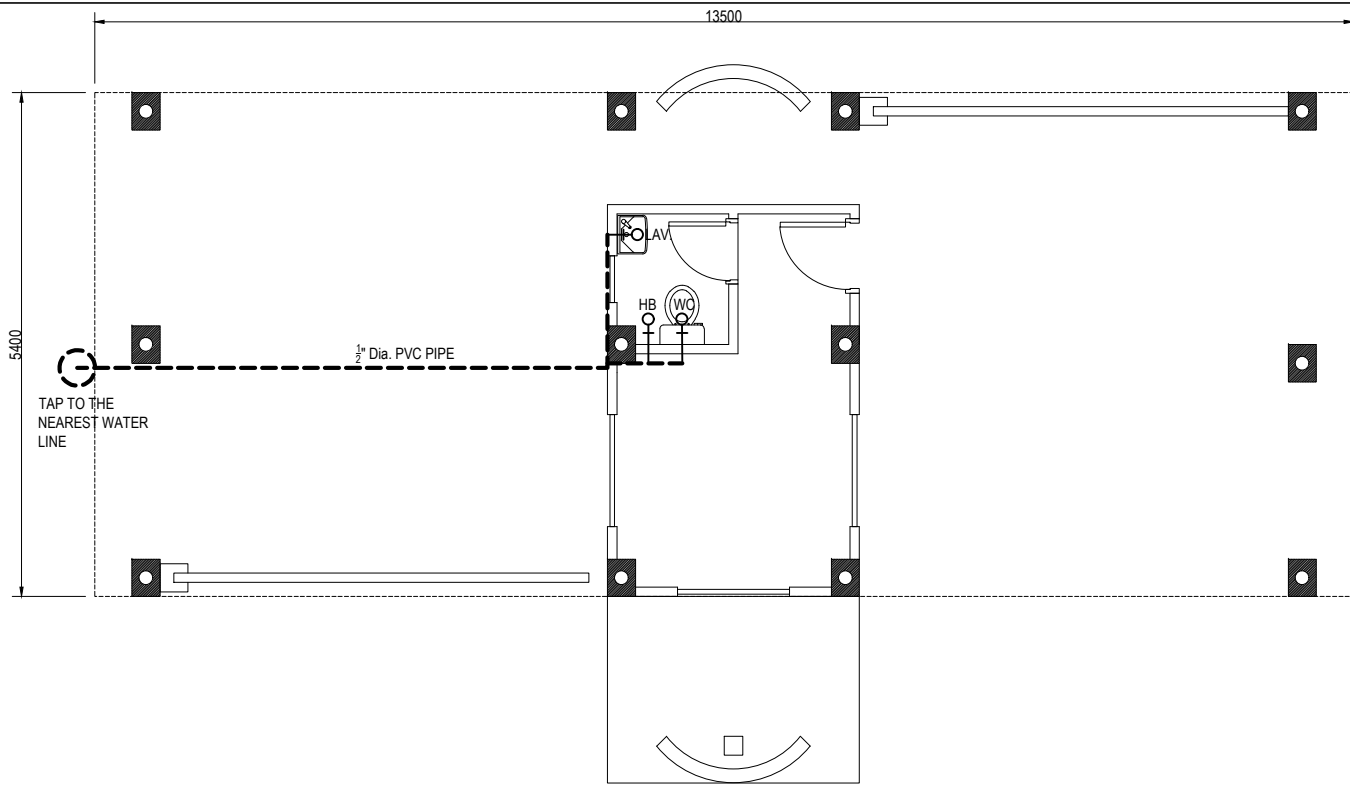


CAD: ABF	CHECKED BY: <b>EDISON D. ICO</b> DIVISION CHIEF III, PDD	REVIEWED BY: <b>GARY P. FERNANDEZ</b> MANAGER, ENGINEERING DEPT	RECOMMENDED BY: <b>MARCO A. ESTABILLO</b> DA FOR PWTSG	APPROVED BY: <b>ROLEN C. PAULINO</b> CHAIRMAN & ADMINISTRATOR
DESIGNED BY: ABF/ASL				

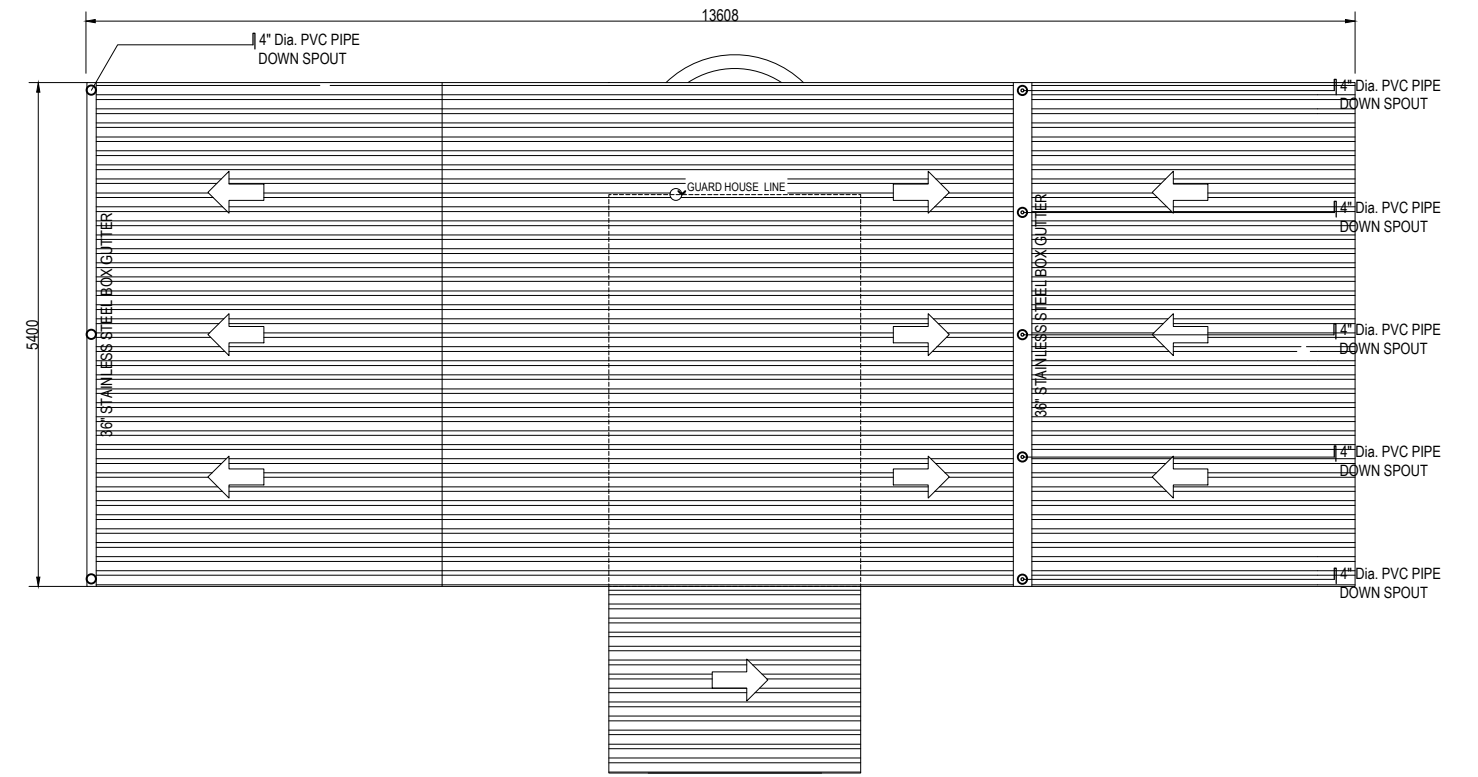


PROJECT TITLE:  
**CONSTRUCTION OF WELCOME ARCHES  
 AT KALAYAAN AND 14th STREET GATES**  
 LOCATION: KALAYAAN & 14TH STREET GATES, SUBIC BAY FREEPORT ZONE

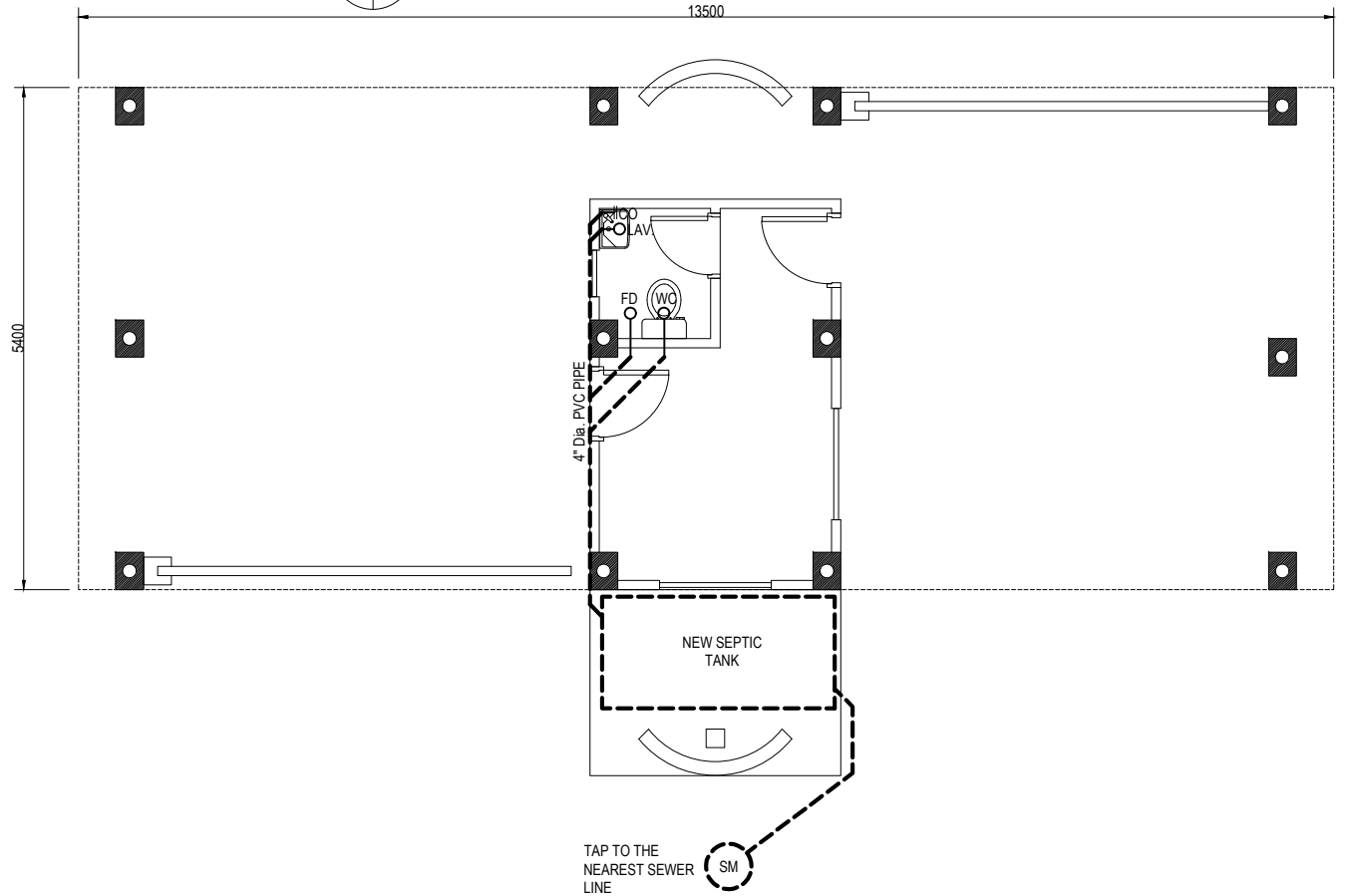
SHEET NO.  
**P1**  
 13 of 21



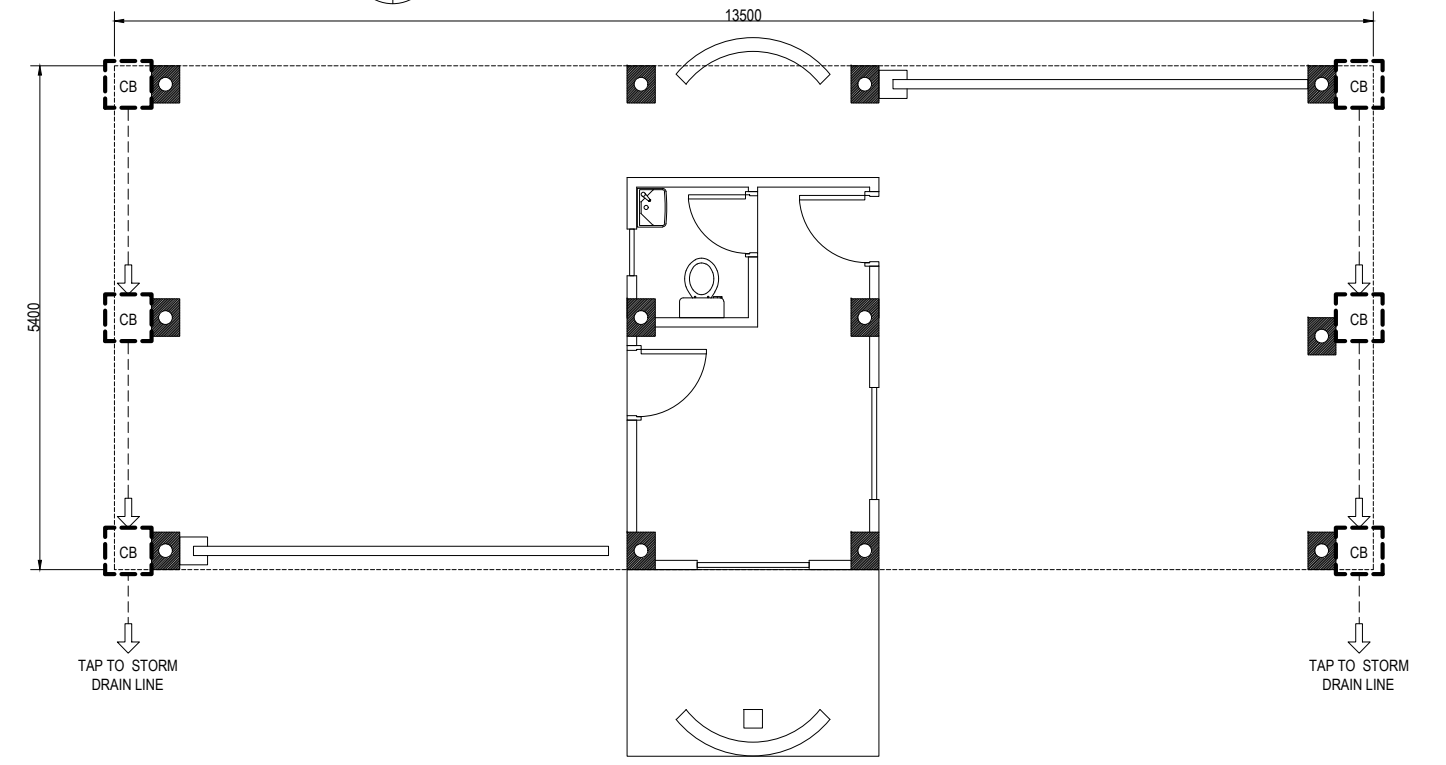
**1 WATER LINE LAYOUT (KALAYAAN GATE)**  
 P2/P2 SCALE 1:80mts



**3 DOWN SPOUT LAYOUT (KALAYAAN GATE)**  
 P2/P2 SCALE 1:80mts

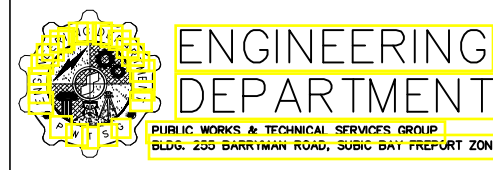


**2 SEWER LINE LAYOUT (KALAYAAN GATE)**  
 P2/P2 SCALE 1:80mts



**4 CATCH BASIN LAYOUT (KALAYAAN GATE)**  
 P2/P2 SCALE 1:80mts

SATISFACTORY TO:  
**ALFREDO P. AGUSTIN JR.**  
 MANAGER, LAW ENFORCEMENT DEPARTMENT

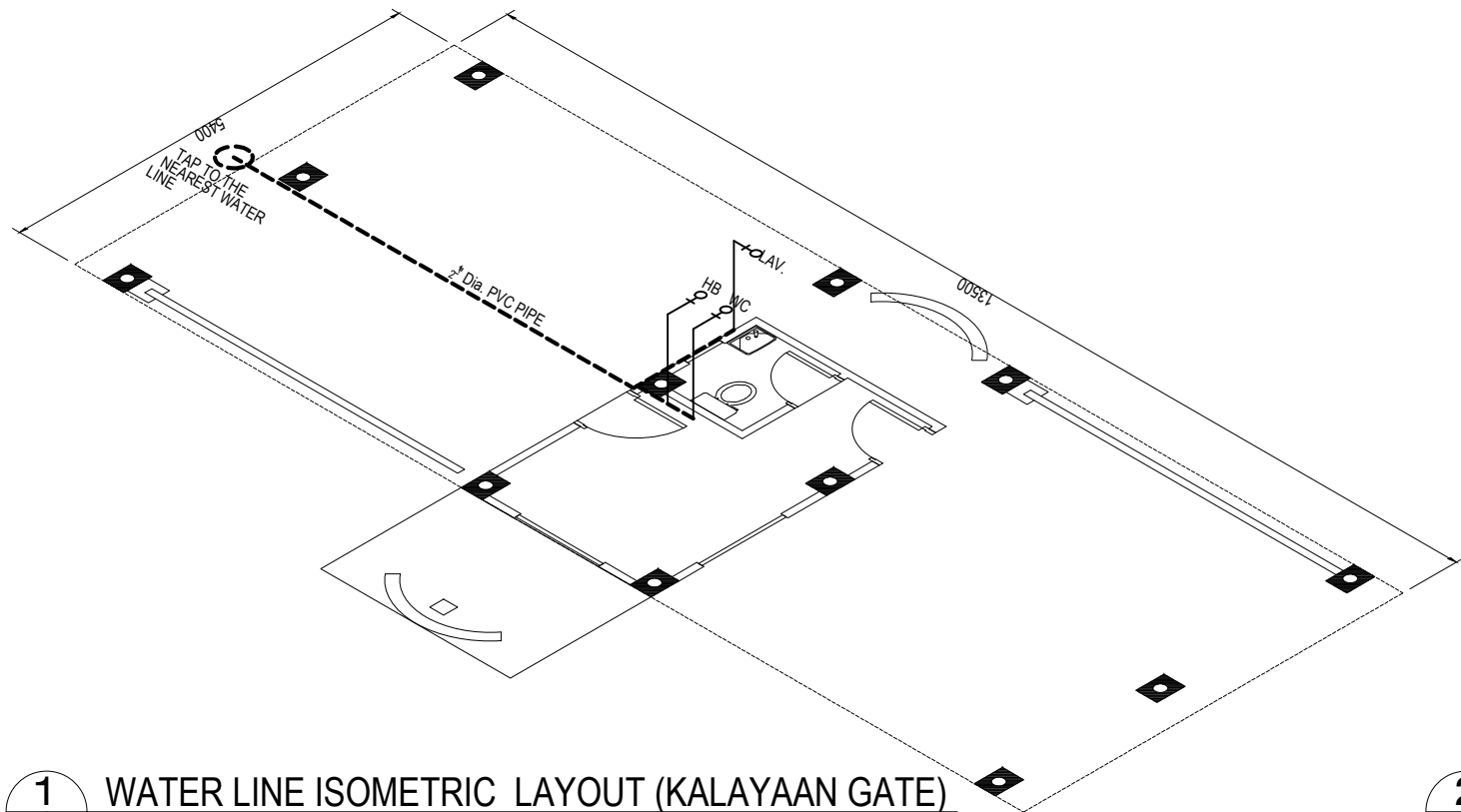


CAD: ABF	CHECKED BY: <b>EDISON D. ICO</b> DIVISION CHIEF III, PDD	REVIEWED BY: <b>GARY P. FERNANDEZ</b> MANAGER, ENGINEERING DEPT	RECOMMENDED BY: <b>MARCO A. ESTABILLO</b> DA FOR PWTSG	APPROVED BY: <b>ROLEN C. PAULINO</b> CHAIRMAN & ADMINISTRATOR
DESIGNED BY: ABF/ASL				

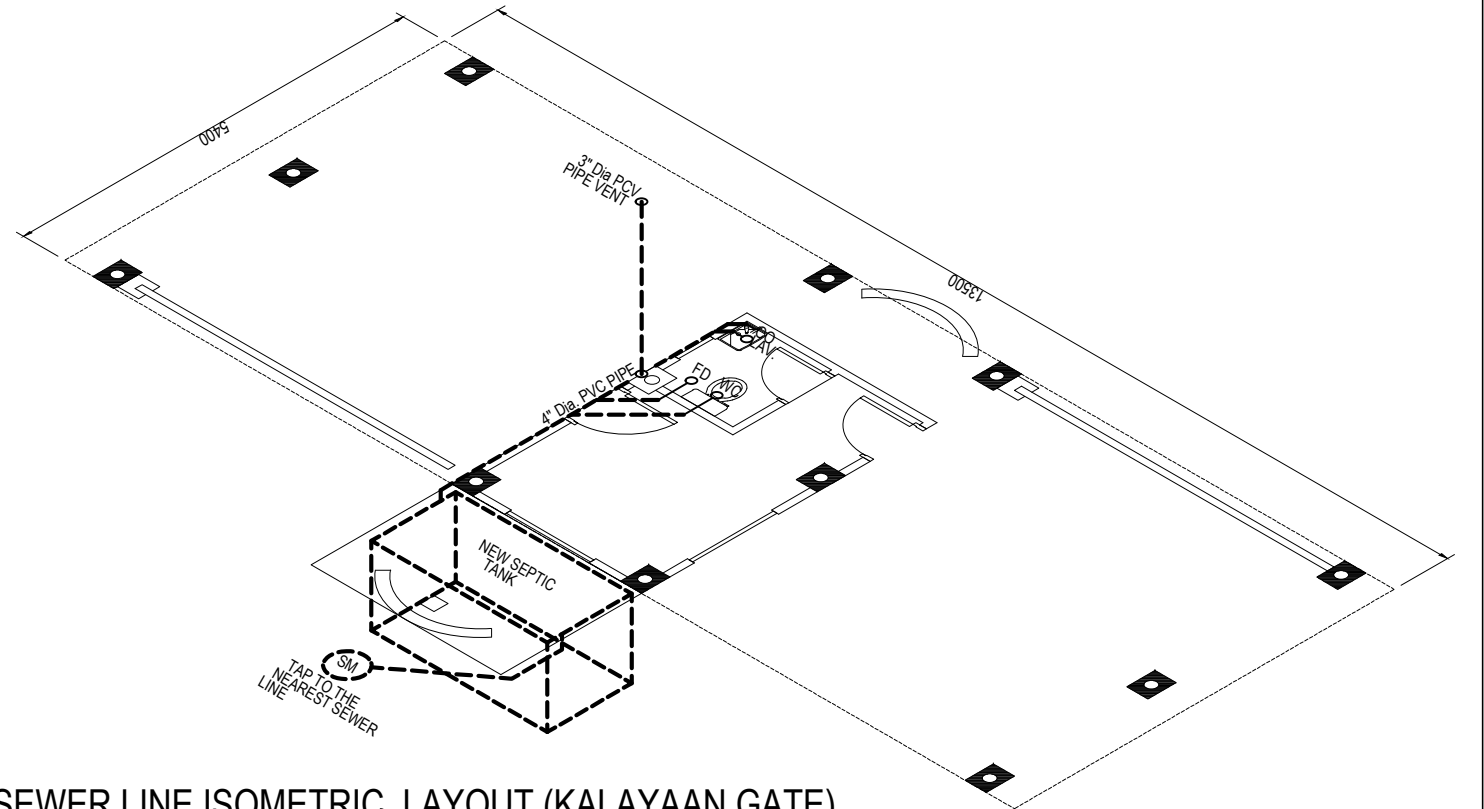


PROJECT TITLE:  
 CONSTRUCTION OF WELCOME ARCHES  
 AT KALAYAAN AND 14th STREET GATES  
 LOCATION: KALAYAAN & 14TH STREET GATES, SUBIC BAY FREEPORT ZONE

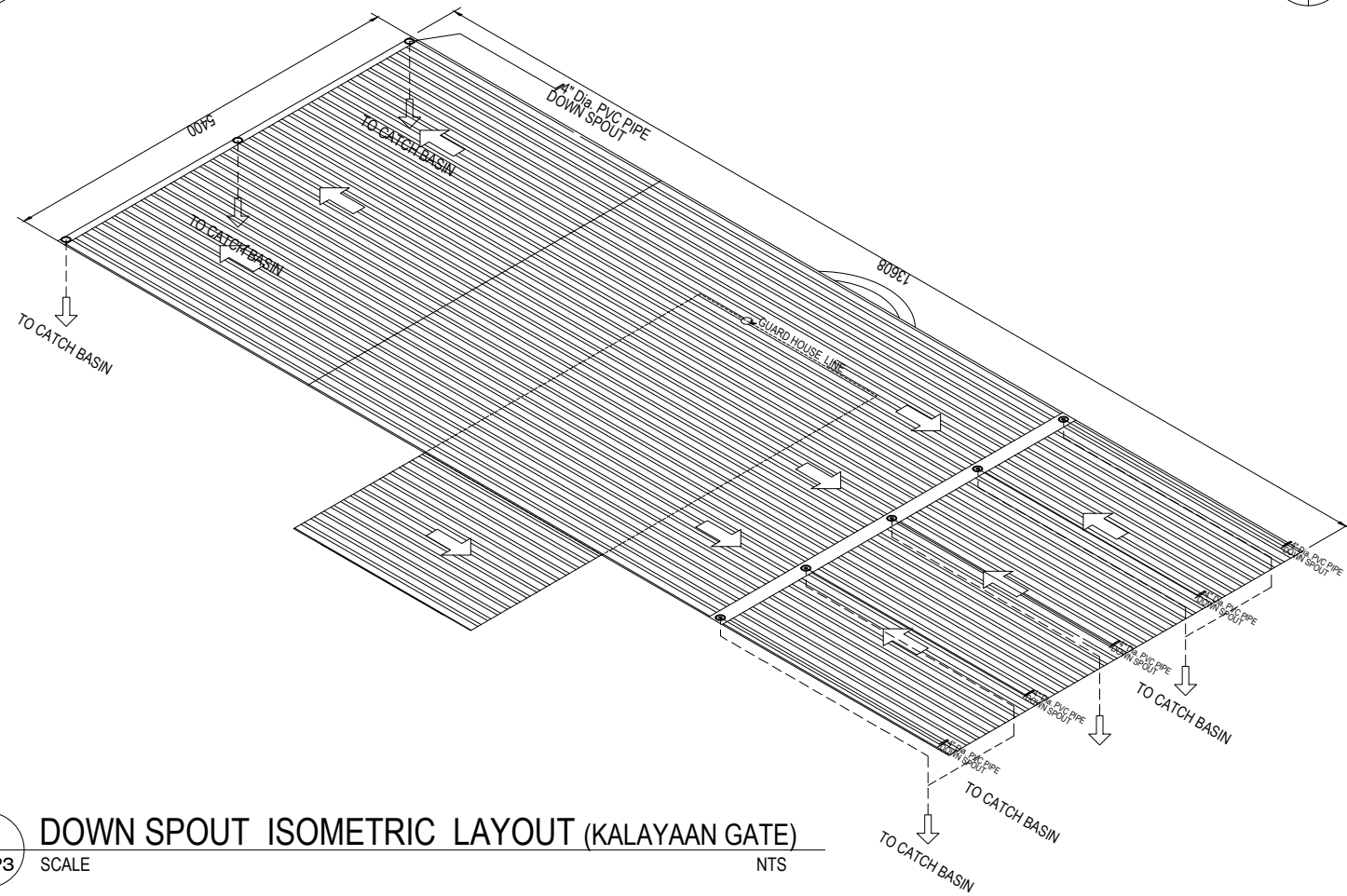
SHEET NO.  
**P2**  
 14 of 21



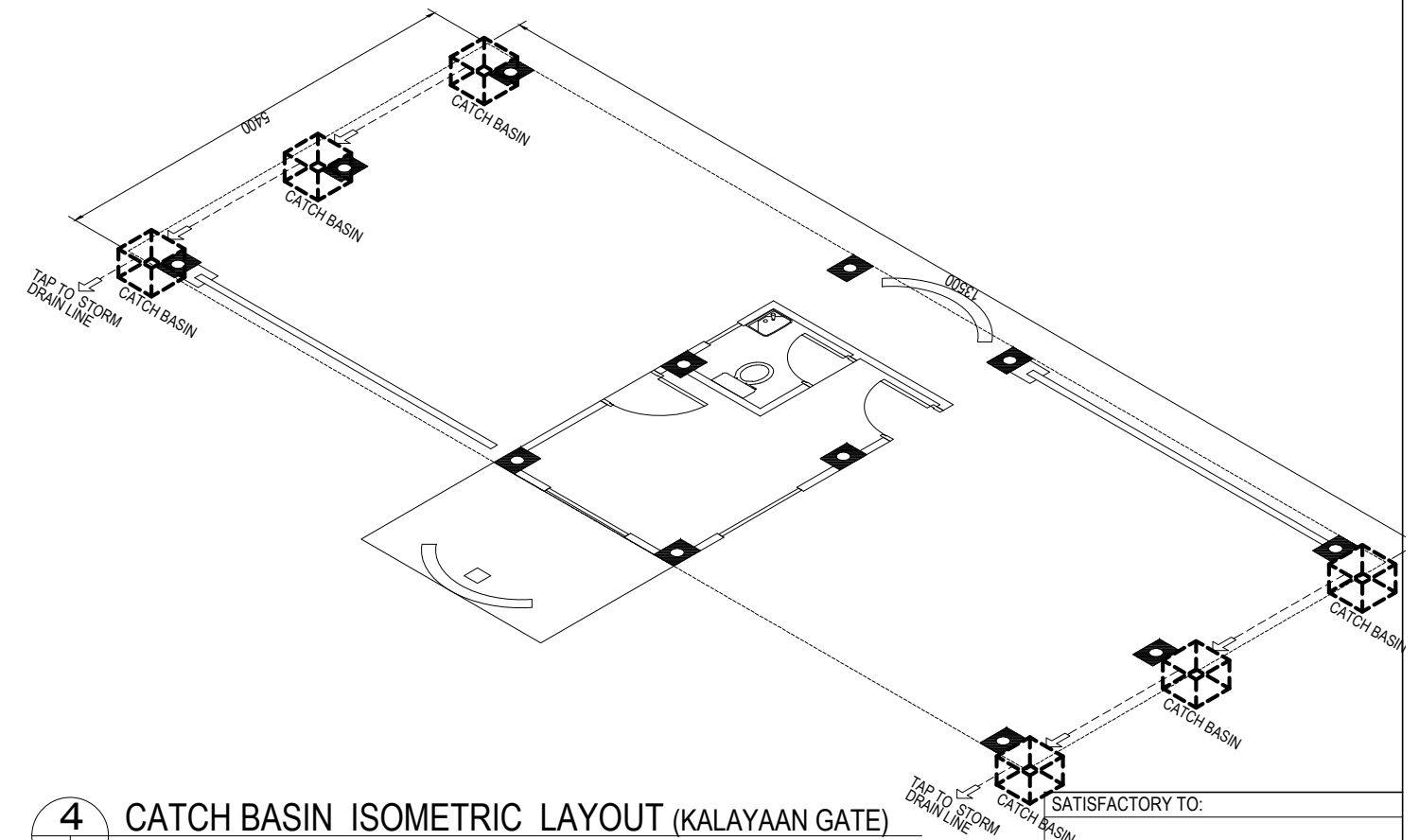
**1** WATER LINE ISOMETRIC LAYOUT (KALAYAAN GATE)  
 P3/P3 SCALE NTS



**2** SEWER LINE ISOMETRIC LAYOUT (KALAYAAN GATE)  
 P3/P3 SCALE NTS

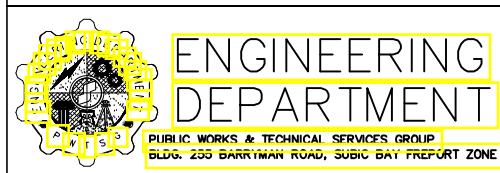


**3** DOWN SPOUT ISOMETRIC LAYOUT (KALAYAAN GATE)  
 P3/P3 SCALE NTS



**4** CATCH BASIN ISOMETRIC LAYOUT (KALAYAAN GATE)  
 P3/P3 SCALE NTS

SATISFACTORY TO:  
**ALFREDO P. AGUSTIN JR.**  
 MANAGER, LAW ENFORCEMENT DEPARTMENT

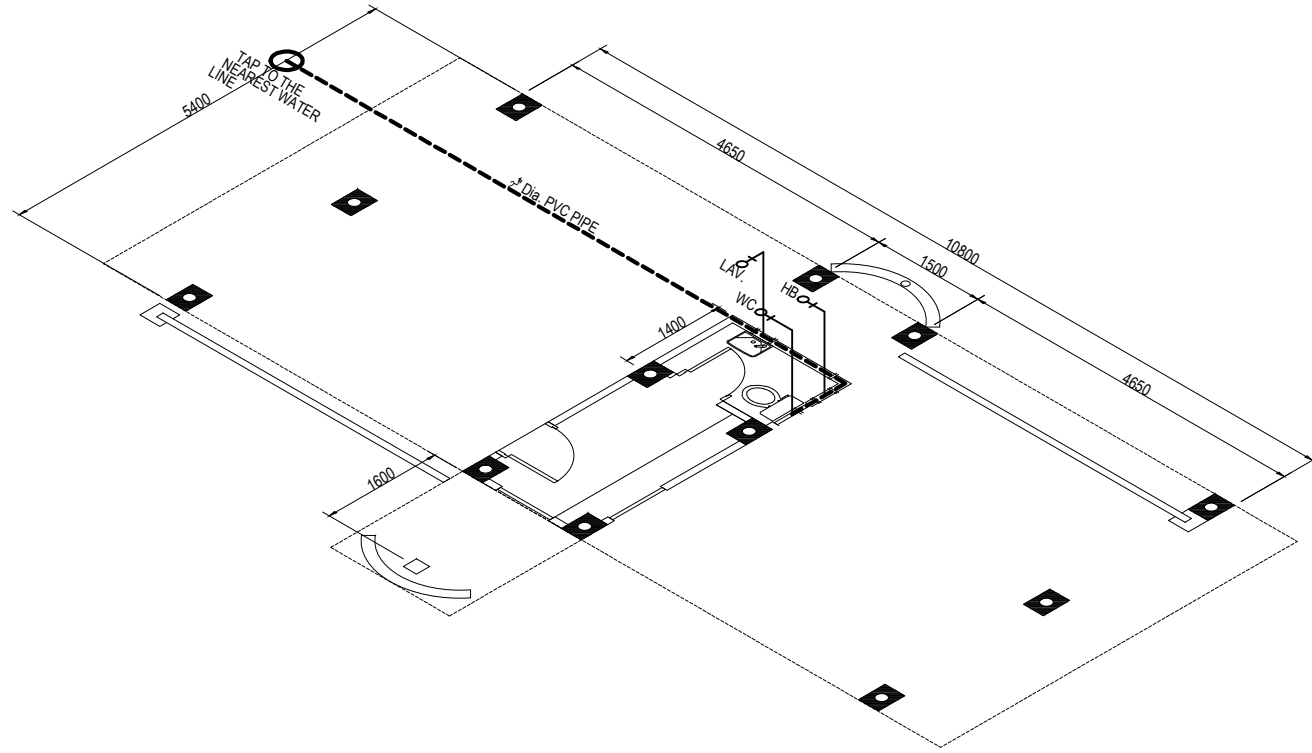


CAD: ABF	CHECKED BY: <b>EDISON D. ICO</b> DIVISION CHIEF III, PDD	REVIEWED BY: <b>GARY P. FERNANDEZ</b> MANAGER, ENGINEERING DEPT	RECOMMENDED BY: <b>MARCO A. ESTABILLO</b> DA FOR PWTSG	APPROVED BY: <b>ROLEN C. PAULINO</b> CHAIRMAN & ADMINISTRATOR
DESIGNED BY: ABF/ASL				

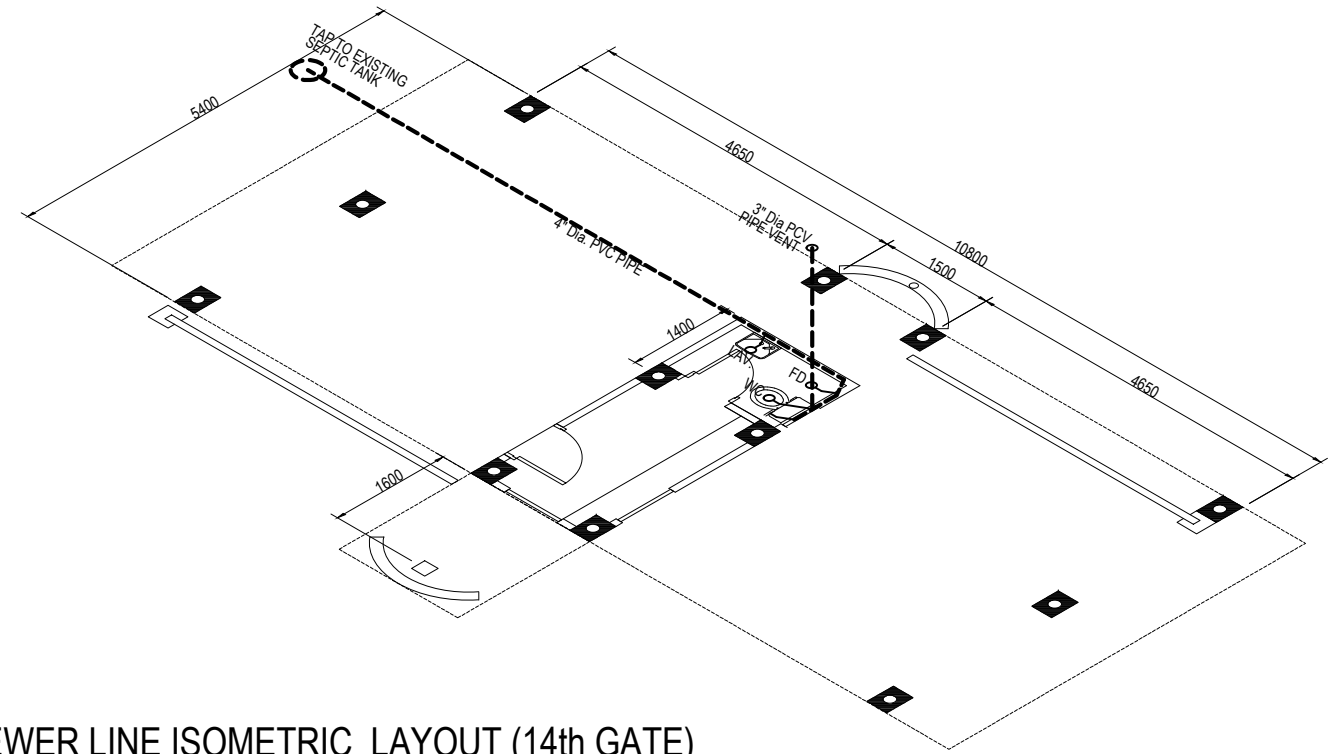


PROJECT TITLE:  
 CONSTRUCTION OF WELCOME ARCHES  
 AT KALAYAAN AND 14th STREET GATES  
 LOCATION: KALAYAAN & 14TH STREET GATES, SUBIC BAY FREEPORT ZONE

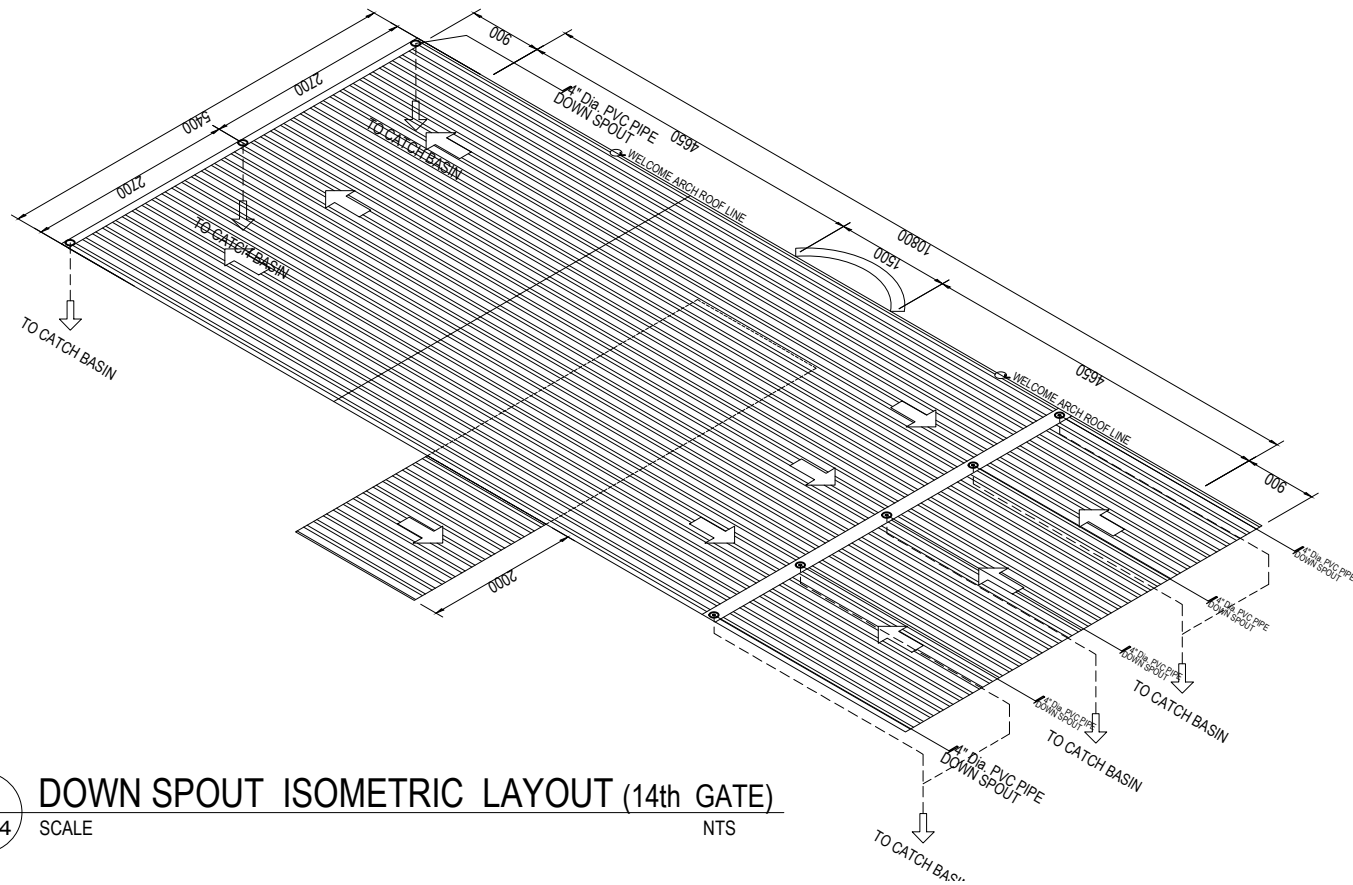
SHEET NO.  
**P3**  
 15 of 21



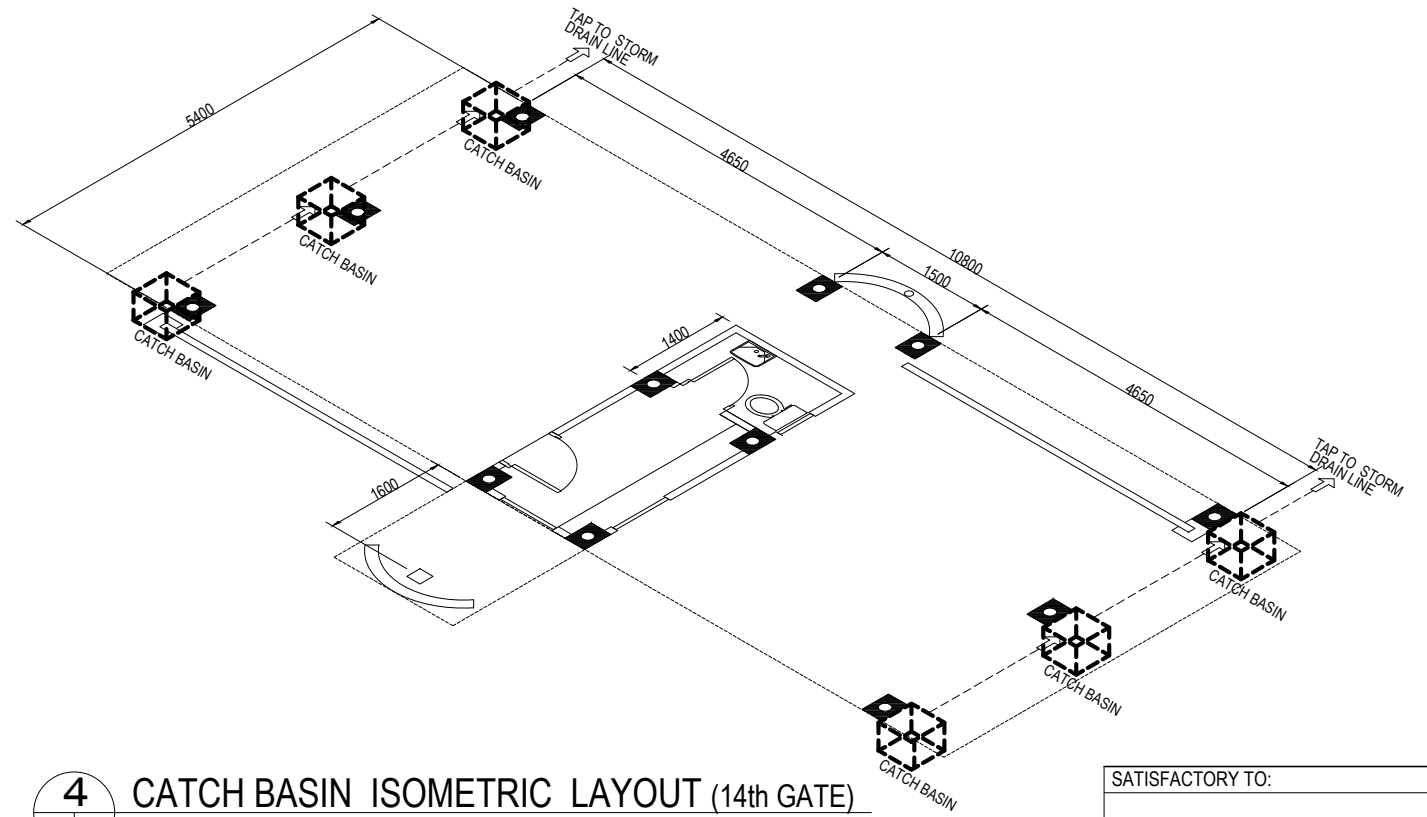
**1** WATER LINE ISOMETRIC LAYOUT (14th GATE)  
 P4|P4 SCALE NTS



**2** SEWER LINE ISOMETRIC LAYOUT (14th GATE)  
 P4|P4 SCALE NTS

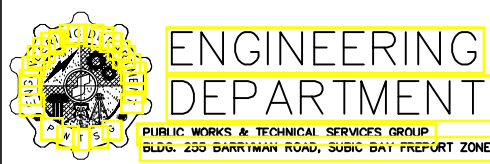


**3** DOWN SPOUT ISOMETRIC LAYOUT (14th GATE)  
 P4|P4 SCALE NTS



**4** CATCH BASIN ISOMETRIC LAYOUT (14th GATE)  
 P4|P4 SCALE NTS

SATISFACTORY TO:  
**ALFREDO P. AGUSTIN JR.**  
 MANAGER, LAW ENFORCEMENT DEPARTMENT



CAD: ABF  
 DESIGNED BY: EDISON D. ICO  
 ABF/ASL

CHECKED BY: EDISON D. ICO  
 DIVISION CHIEF III, PDD

REVIEWED BY: GARY P. FERNANDEZ  
 MANAGER, ENGINEERING DEPT

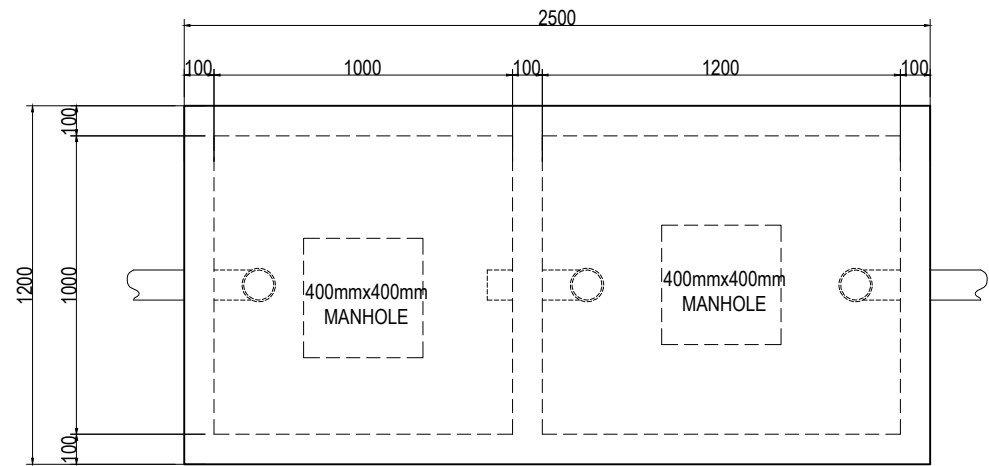
RECOMMENDED BY: MARCO A. ESTABILLO  
 DA FOR PWTSG

APPROVED BY: ROLEN C. PAULINO  
 CHAIRMAN & ADMINISTRATOR

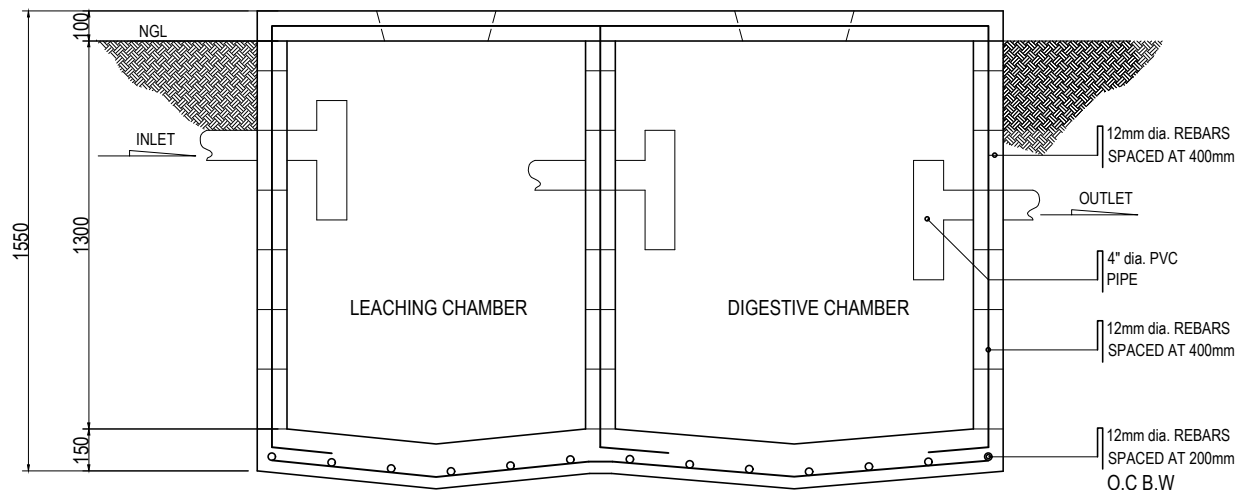


PROJECT TITLE: CONSTRUCTION OF WELCOME ARCHES AT KALAYAAN AND 14th STREET GATES  
 LOCATION: KALAYAAN & 14TH STREET GATES, SUBIC BAY FREEPORT ZONE

SHEET NO. P4  
 16 of 21

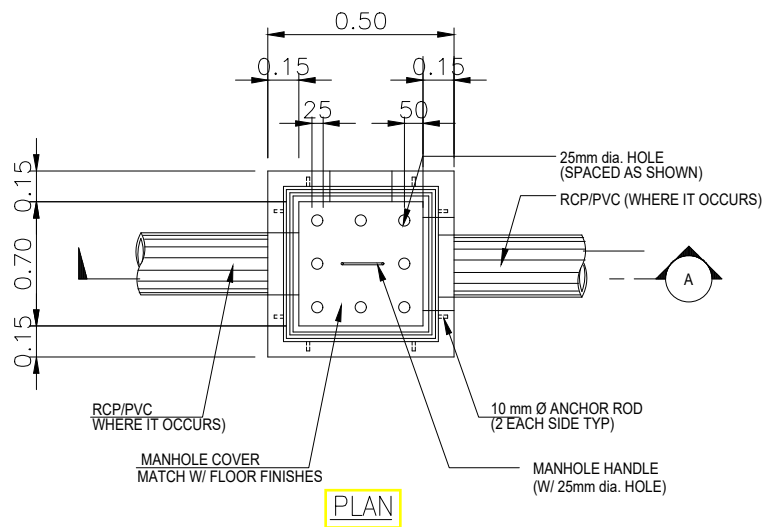


PLAN

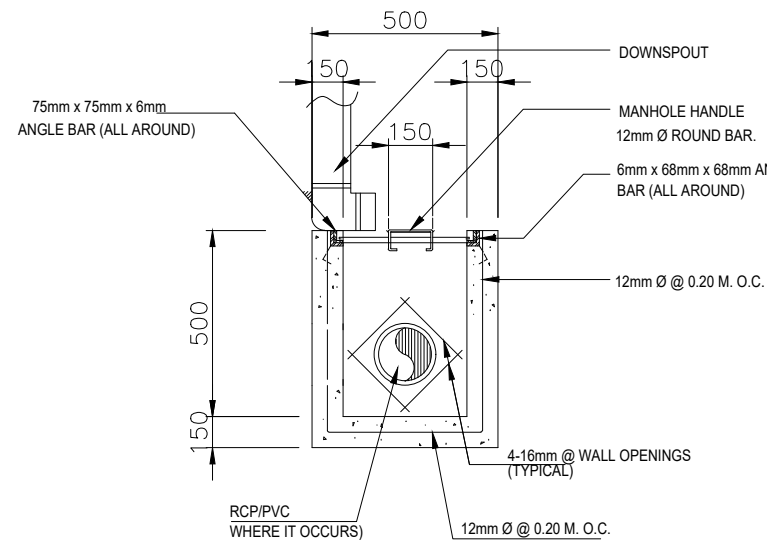


SECTION

**1** TYPICAL SEPTIC TANK DETAIL  
P5/P5 SCALE NTS

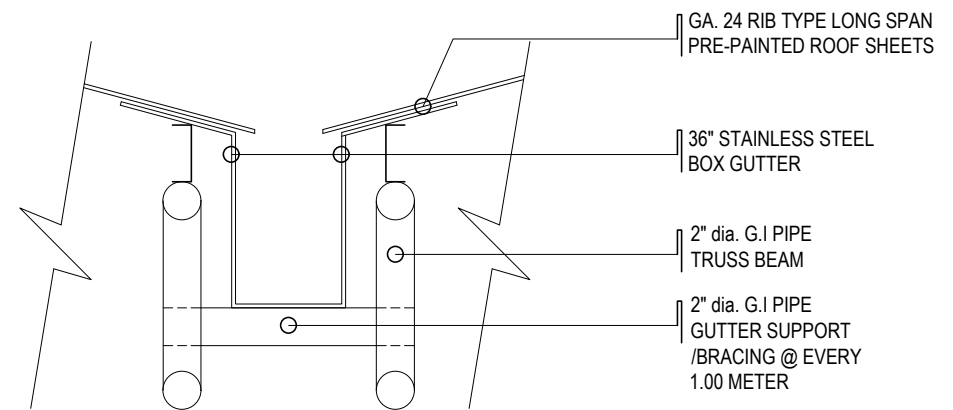


PLAN



SECTION A

**2** TYPICAL CATCH BASIN DETAIL  
P5/P5 SCALE NTS



**4** TYPICAL CONCEALED GUTTER CONN. DETAIL  
P5/P5 SCALE NTS

GENERAL NOTES

- ALL SANITARY WORKS INCLUDE HEREIN SHALL BE EXECUTED ACCORDING TO THE PROVISIONS OF THE NATIONAL PLUMBING CODE OF THE PHILIPPINES, THE NATIONAL BUILDING CODE OF THE PHILIPPINES, AND ITS IMPLEMENTING RULES AND REGULATIONS.
- COORDINATE THE DRAWING WITH OTHER RELATED DRAWINGS AND SPECIFICATIONS THE ARCHITECT AND/OR THE ENGINEER SHALL BE NOTIFIED IMMEDIATELY OF ANY DISCREPANCY FOUND HEREIN, HIS/HER DECISION SHALL BE FINAL.
- ALL PIPES SHALL BE INSTALLED AS INDICATED. ANY RELOCATION REQUIRED FOR PROPEXECUTION OF OTHER TRADES SHALL BE PRIOR TO THE APPROVAL OF THE ARCHITECT AND/OR ENGINEER.
- PROPOSED SANITARY UTILITIES SHALL CONFORM TO THE ACTUAL LOCATION, DEPTH AND INVERT ELEVATION OF EXISTING PIPES AND STRUCTURES AS VERIFIED BY THE CONTRACTOR.
- THE CONTRACTOR SHALL BE RESPONSIBLE FOR ALL THE REQUIRED WALL OPENINGS.
- ALL SLOPES FOR HORIZONTAL DRAINAGE SHALL MAINTAIN 1% AS MINIMUM, UNLESS OTHERWISE NOTED.
- SIZES OF WATER SUPPLY PIPES TO FIXTURES SHALL BE IN ACCORDANCE WITH THE MANUFACTURER'S INSTRUCTIONS.
- ALL FIXTURES SHALL BE VENTED, UNLESS OTHERWISE NOTED.
- THE WORK THROUGHOUT SHALL BE EXECUTED IN THE BEST MOST THOROUGH MANNER KNOWN TO THE TRADE AND TO THE SATISFACTION OF THE ARCHITECT AND/OR THE ENGINEER.
- THE CONTRATOR SHALL VERIFY ALL EXISTING UTILITIES AT SITE AND COORDINATE THE WORKS WITH THE SEWER EFFLUENT DISPOSAL AND WATERLINE SERVICE CONNECTION POINT.
- REFER TO THE TECHNICAL SPECIFICATION FOR DETAILED MATERIAL AND EQUIPMENT SPECIFICATIONS
- IT IS NOT INTENDED THAT THE DRAWINGS SHALL SHOW EVERY PIPE FITTINGS, VALVES AND APPLIANCES, ALL SUCH ITEMS WHETHER SPECIFICALLY MENTIONED OR NOT, OR INDICATED IN THE DRAWINGS SHALL BE FURNISHED AND INSTALLED IF NECESSARY TO COMPLETE THE SYSTEM TO THE SATISFACTION OF THE CLIENT.

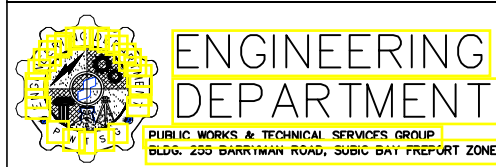
**3** PLUMBING NOTES  
P5/P5

LEGEND:

DP	DRAIN PIPE	WC	WATER CLOSET (TANK-TYPE)
CWL	WATER LINE	LAV	LAVATORY
CO	CLEAN OUT	WM	WATER METER
CB	CATCH BASIN	GV/DV	GATE/DRAIN VALVE
FD	FLOOR DRAIN	CV	CHECK VALVE

**5** LEGEND  
P5/P5

SATISFACTORY TO:  
**ALFREDO P. AGUSTIN JR.**  
MANAGER, LAW ENFORCEMENT DEPARTMENT



CAD: ABF  
DESIGNED BY: EDISON D. ICO  
ABF/ASL

CHECKED BY: EDISON D. ICO  
DIVISION CHIEF III, PDD

REVIEWED BY: GARY P. FERNANDEZ  
MANAGER, ENGINEERING DEPT

RECOMMENDED BY: MARCO A. ESTABILLO  
DA FOR PWTSG

APPROVED BY: ROLEN C. PAULINO  
CHAIRMAN & ADMINISTRATOR



PROJECT TITLE: CONSTRUCTION OF WELCOME ARCHES AT KALAYAAN AND 14th STREET GATES  
LOCATION: KALAYAAN & 14TH STREET GATES, SUBIC BAY FREEPORT ZONE

SHEET NO. P5  
17 of 21