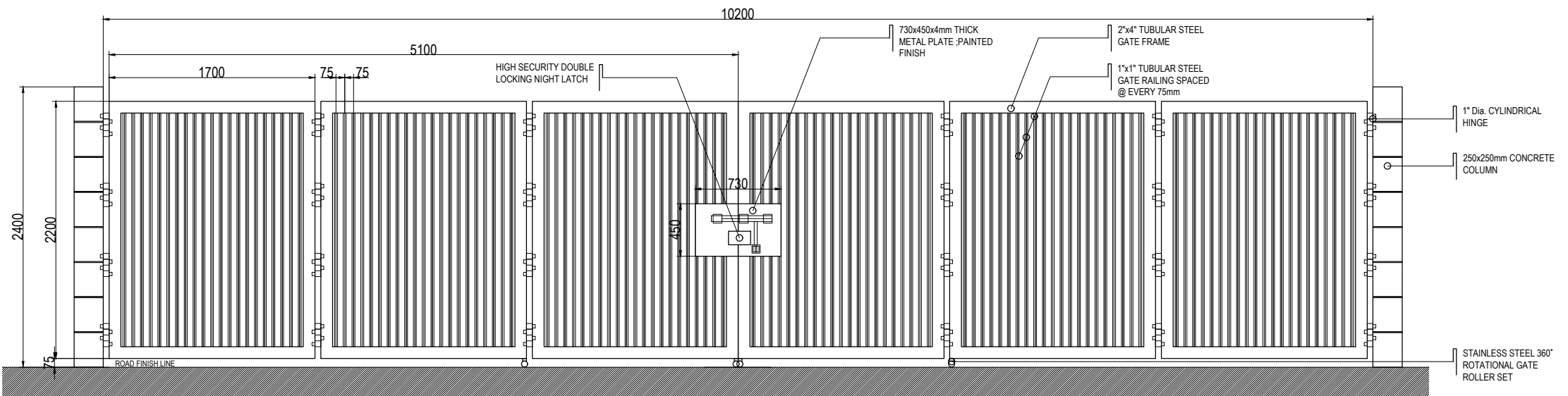


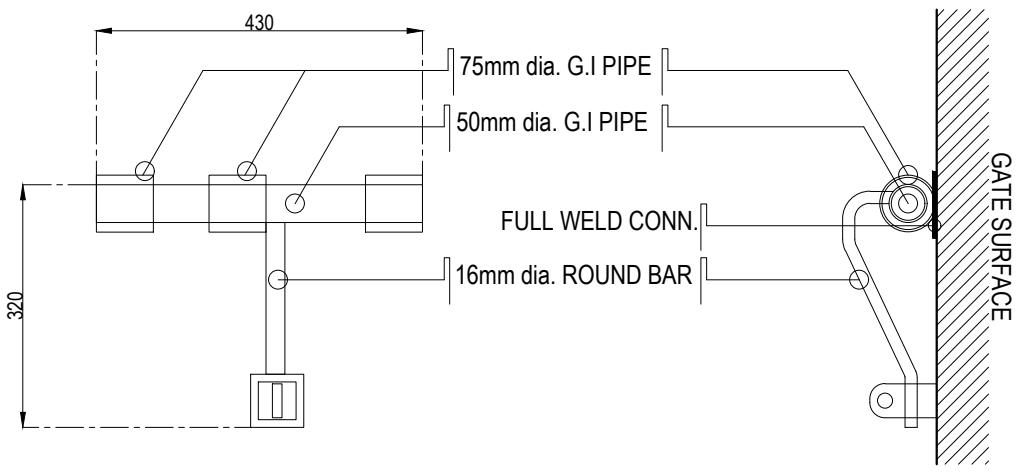


GATE PLAN

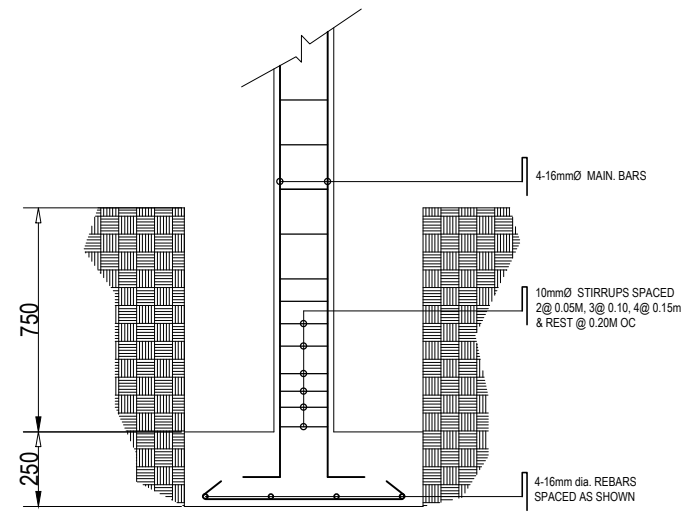
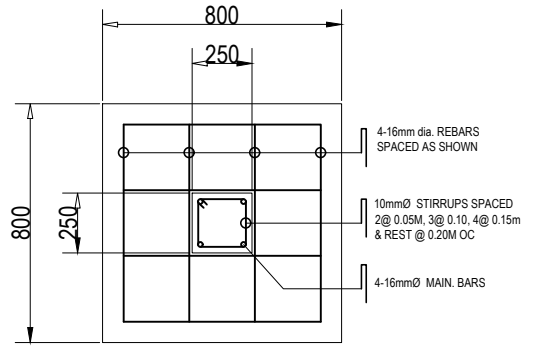


GATE ELEVATION

1 GATE DESIGN (14th GATE)
C1/C1 SCALE 1:60mts

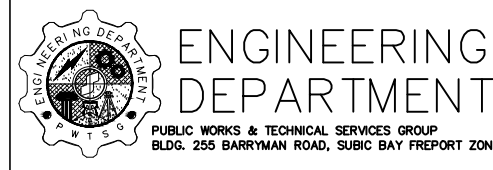


2 GATE LATCH DETAIL
C1/C1 SCALE NTS



3 GATE FOOTING DETAIL
C1/C1 SCALE NTS

SATISFACTORY TO:
ALFREDO P. AGUSTIN JR.
MANAGER, LAW ENFORCEMENT DEPARTMENT



CAD:	CHECKED BY :	REVIEWED BY :	RECOMMENDED BY:	APPROVED BY:
ABF	EDISON D. ICO DIVISION CHIEF III, PDD	GARY P. FERNANDEZ MANAGER, ENGINEERING DEPT	MARCO A. ESTABILLO DA FOR PWTSG	ROLEN C. PAULINO CHAIRMAN & ADMINISTRATOR
DESIGNED BY:				
ABF/ASL				



PROJECT TITLE:	SHEET NO.
CONSTRUCTION OF WELCOME ARCHES AT KALAYAAN AND 14th STREET GATES	C1
LOCATION: KALAYAAN & 14TH STREET GATES, SUBIC BAY FREEPORT ZONE	21 of 21